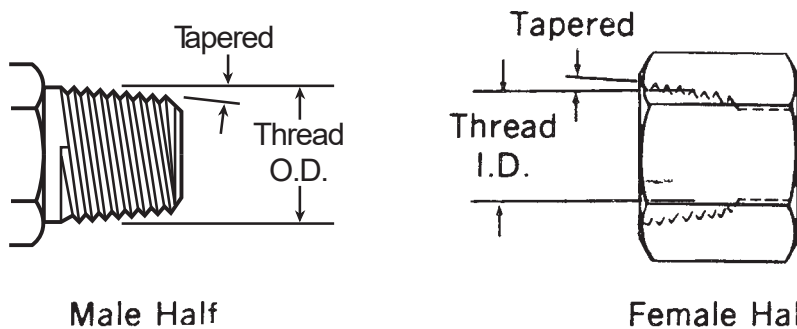




NPTF (National Pipe Tapered Fuel)

This connection is still widely used in fluid power systems, even though it is not recommended by the National Fluid Power Association (N.F.P.A.) for use in hydraulic applications. The thread is tapered and the seal takes place by deformation of the threads.



NPTF Threads

Measure thread diameter and subtract 1/4-inch to find the nominal pipe size.

Inch Size	Dash Size	Nominal Thread Size	Male Thread O.D. (in)	Female Thread I.D. (in)
1/8	02	1/8-27	13/32 (.41)	3/8 (.38)
1/4	04	1/4-18	17/32 (.54)	1/2 (.49)
3/8	06	3/8-18	11/16 (.68)	5/8 (.63)
1/2	08	1/2-14	27/32 (.84)	25/32 (.77)
3/4	12	3/4-14	11/16 (1.05)	1 (.98)
1	16	1-11 1/2	15/16 (1.32)	1 1/4 (1.24)
1 1/4	20	1 1/4-11 1/2	1 21/32 (1.66)	1 19/32 (1.58)
1 1/2	24	1 1/2-11 1/2	1 29/32 (1.90)	1 13/16 (1.82)
2	32	2-11 1/2	2 3/8 (2.38)	2 5/16 (2.30)

ARG *INDUSTRIAL*



Danfoss